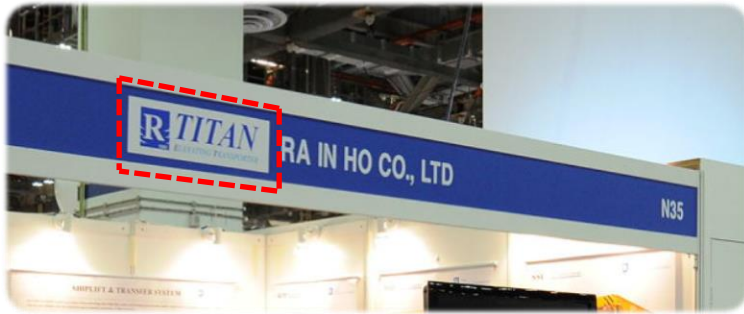


OPTIONS FOR GRAPHIC ENHANCEMENTS

Enhancement on Fascia Board



Inkjet print logo on fascia board

PRICE
SGD 180 each

GRAPHIC DIMENSION
420mmL x 210mmHt



Full inkjet print on 3mL fascia board

PRICE
SGD 220 each

GRAPHIC DIMENSION
2930mmL x 210mmHt



Full compressed foam on 3mL fascia board

PRICE
SGD 250 each

GRAPHIC DIMENSION
3000mmL x 350mmHt

Inkjet Print on System Panel



*visible system poles

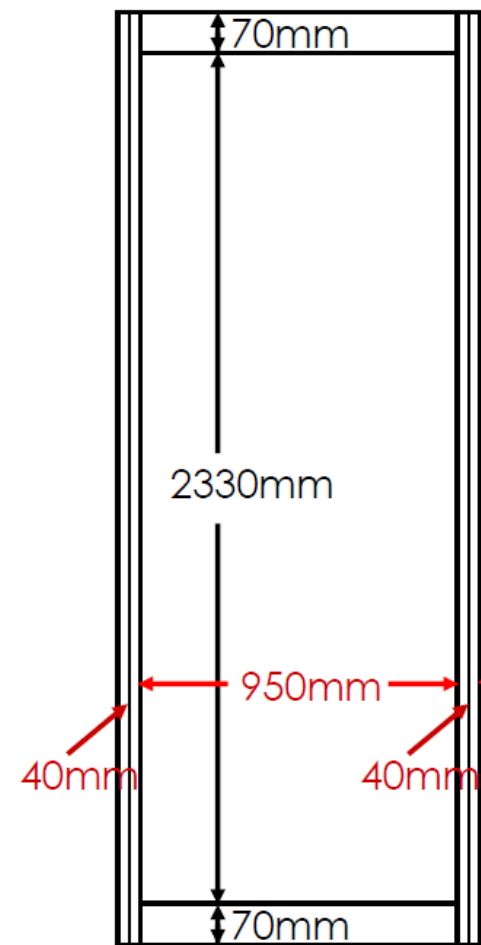
Inkjet print on system panel

PRICE
SGD 280 per panel

*e.g. 6 panels x SGD 250 = SGD 1,680
based on the above picture*

VIEWABLE GRAPHIC DIMENSION
950mmL x 2330mmHt

PRINTABLE GRAPHIC DIMENSION
964mmL x 2350mmHt



Inkjet Print Mount on Compressed Foam



Inkjet print mount on compressed foam

PRICE
SGD 320 per 1mL panel

GRAPHIC DIMENSION
1000mmL x 2470mmHt

e.g.

6 panels x SGD 300 = SGD 1,920 based on the above picture for 2 walls of 3mL x 2.47mHt

Kindly provide the final artwork in Ai / EPS / High res PDF format.

All rights reserved. No part of this publication may be reproduced in any form or by any means. Including photocopying and recording without the written permission of the publisher.



Logo on Information Counter / Lockable Cabinet



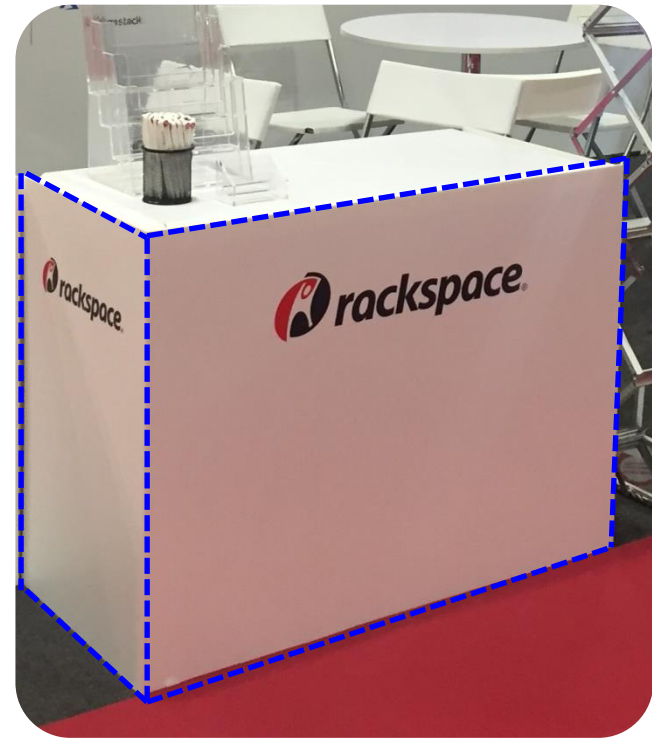
Inkjet print on counter / lockable cabinet

PRICE
SGD 220 per unit

FRONT GRAPHIC DIMENSION
910mmL x 615mmHt

PRICE
SGD 110 per unit

SIDE GRAPHIC DIMENSION
455mmL x 615mmHt



Compressed Foam on counter / lockable cabinet

PRICE
SGD 250 per unit

FRONT GRAPHIC DIMENSION
1030mmL x 760mmHt

PRICE
SGD 130 per unit

SIDE GRAPHIC DIMENSION
535mmL x 760mmHt

Logo on 1000mmH Counter



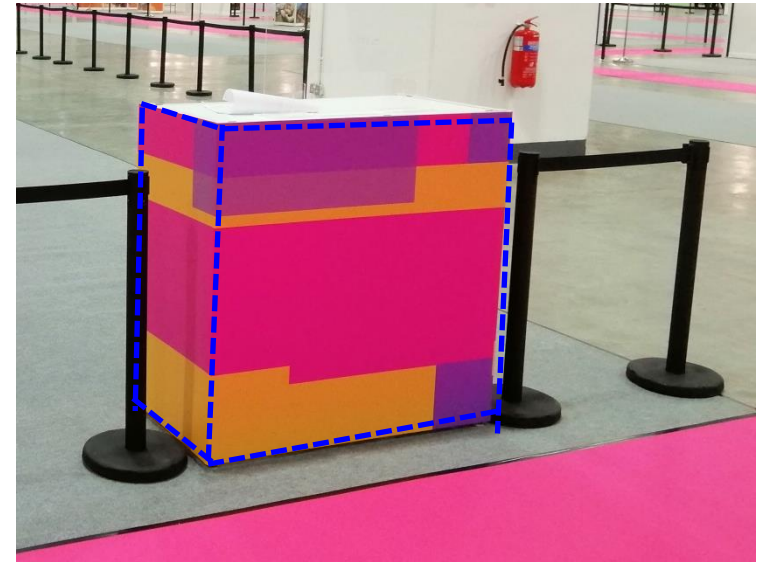
Inkjet print on 1000mmH counter

PRICE
SGD 250 per unit

FRONT GRAPHIC DIMENSION
950mmL x 910mmHt

PRICE
SGD 130 per unit

SIDE GRAPHIC DIMENSION
455mmL x 910mmHt



Compressed Foam on 1000mmH counter

PRICE
SGD 280 per unit

FRONT GRAPHIC DIMENSION
1030mmL x 1030mmHt

PRICE
SGD 150 per unit

SIDE GRAPHIC DIMENSION
535mmL x 1030mmHt